

## ev•o•lu•tion

*noun* \ěv'əloo'shən

: a process of continuous change from a lower, simpler state, to a higher, more complex, or better state  
: growth

DynoRaxx Evolution PR delivers a one component preassembled universal racking system for mounting PV solar panels on pitched roofs. The proprietary design of the DynoRaxx Evolution PR has been created to ship, stock, and store easily, while providing a mounting solution that can be used with any framed module, in any configuration without any product modification. With DynoRaxx Evolution PR, mounting solar panels has never been easier.

**One Component**

**Rugged Construction**

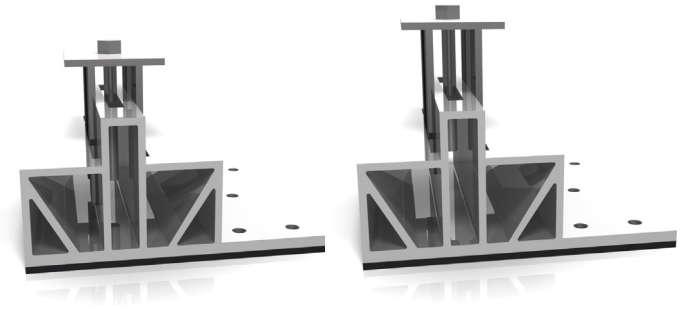
**Pre Assembled**

**Universal Design**

**Cost Effective**

### **Innovative Design**

- Install modules and racking at the same time
- Enables fast installation in less than half the time of other systems
- Accommodates all PV solar panels on the market
- Works with any array configuration
- Needs no special shipping requirements
- Does not impede water drainage
- Clamp acts as both Mid and End Clamp



Universal Clamp for any Framed Module

### Rugged Construction

- Mount – Aluminum
- Clamp – Aluminum
- Hardware – Stainless Steel

### Easy Installation

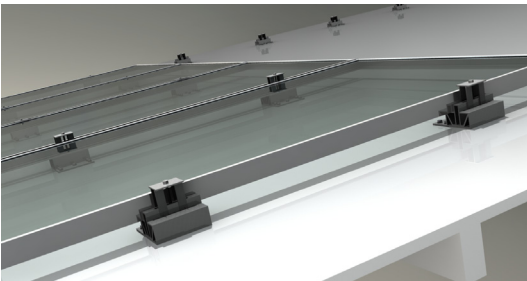
- Mount is Preassembled, Just Add Modules
- Initial measurement and chalk line needed for placement of first row
- Module Acts as Jig
- Save time and labor to install more modules per hour

### Fast Turnaround

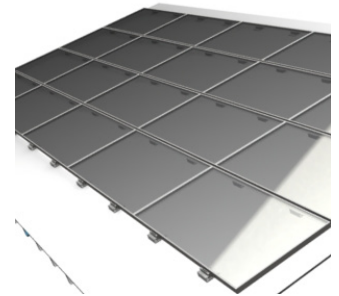
- No special orders — ships quickly upon receipt of order
- Mounts are boxed — no special shipping requirements

### Cost-Savings

- Fewer man hours to install
- Can be shipped via common courier
- Less material than common mounting methods



No Measuring-Module is used as jig



### DynoRaxx Evolution PR Warranty

- DynoRaxx Evolution PR carries a 10-year limited material and workmanship warranty and a 5-year limited finish warranty.
- Contact us for complete details on the DynoRaxx warranty.